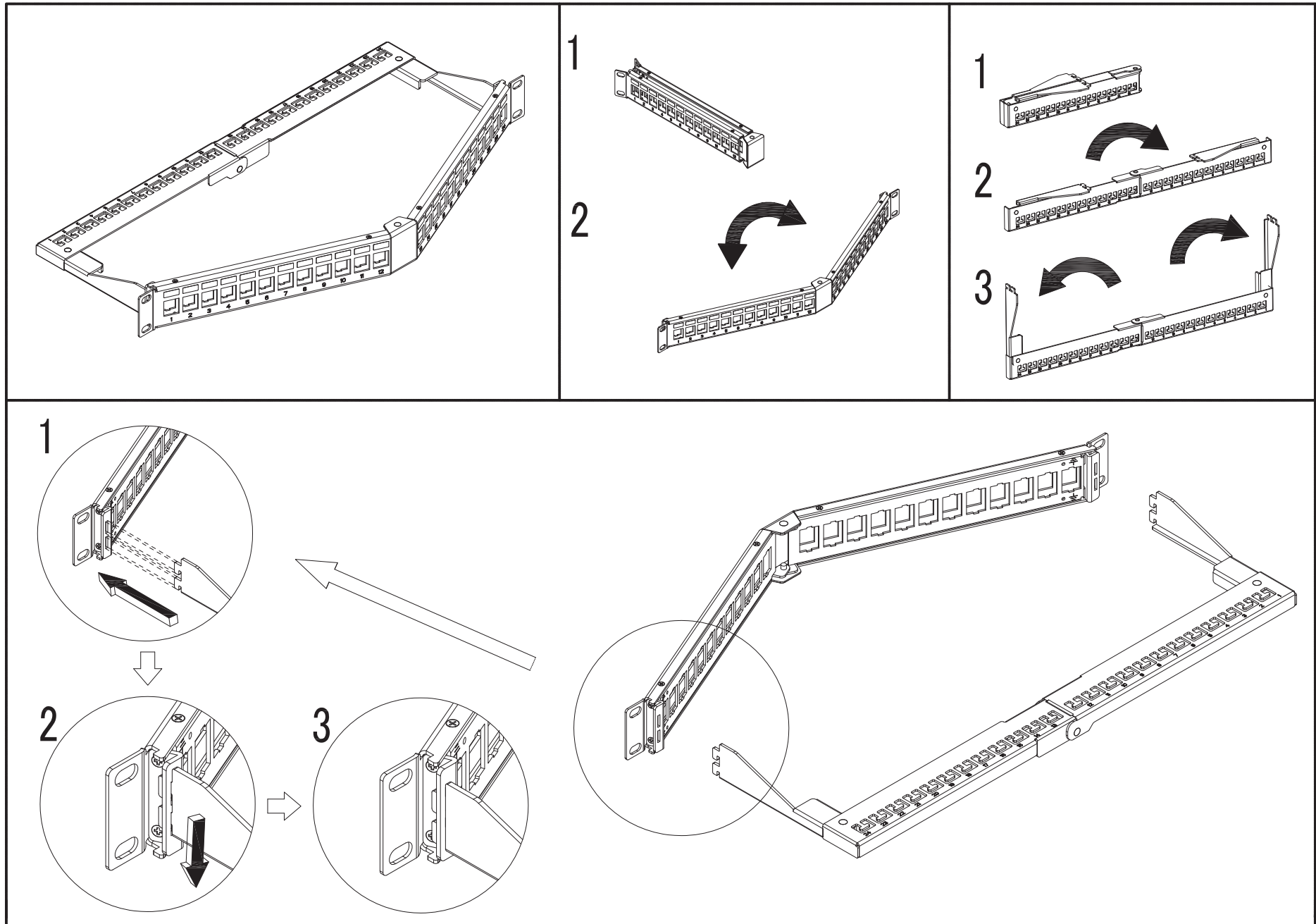


# Cable Matters® 24-Port Keystone Jack Blank 19" Angled Patch Panel Model No.180061



View compatible Keystone Jack products at [www.cablematters.com](http://www.cablematters.com)



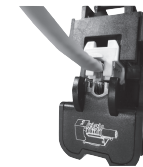
Keystone Punch Down Stand  
Model 180056



Crimp Tool for RJ45 Keystone Jack  
Model 180060



COMPATIBLE KEYSTONE JACKS  
• 180065 - Unshielded  
• 180014 - Shielded



CUT & TERMINATE ALL 4 PAIRS  
IN ONE STEP